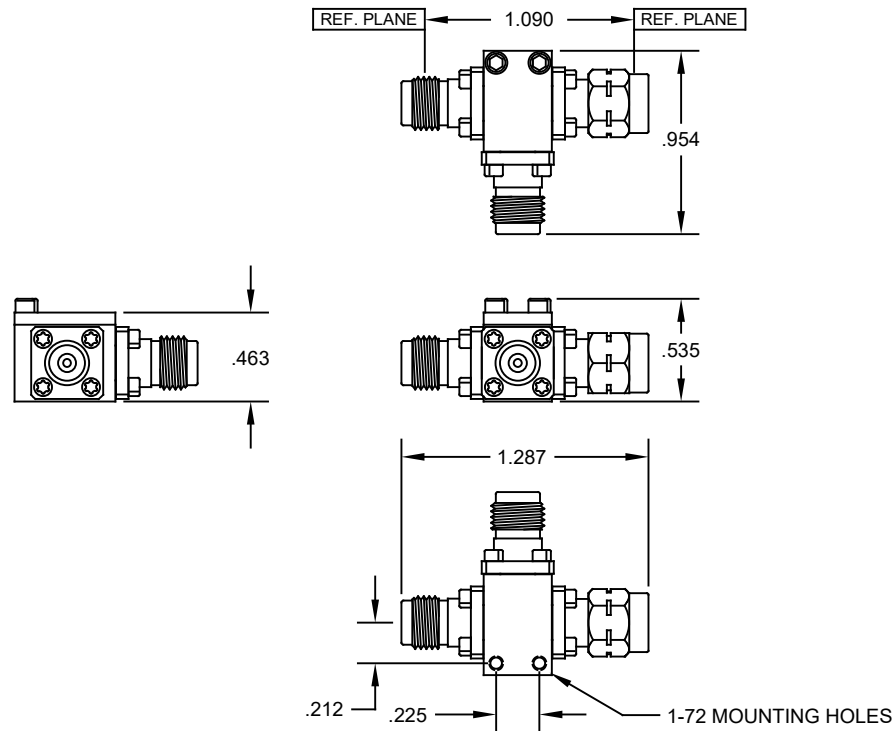



CONFIDENTIAL

THIS DOCUMENT, OR DATA DISCLOSED HEREIN, IS NOT TO BE REPRODUCED, USED, OR DISCLOSED, IN WHOLE OR PART, TO ANYONE WITHOUT THE DIRECT PERMISSION OF HYPERLABS, INC.

REVISIONS				
ECN #	REV	DESCRIPTION	DATE	RELEASED BY
0528	0	ORIGINAL	06/06/18	AA
0534	1	REVISED	06/08/18	AA
0560	2	REVISED	10/31/18	AA
XXXX	3	REMOVED WEIGHT	04/10/20	JJY



SCALE: 1:1	P SCALE: 1	MATERIAL: N/A		
TOLERANCES UNLESS OTHERWISE NOTED: INCHES X.X ± 0.1 X.XX ± 0.01 X.XXX ± 0.005 X.XXXX ± 0.0005 X" ± 1"	DRAWN BY	DDP	DATE	06/06/18
	DESIGN ENG			
	MATERIALS			
	PROD ENG			
	QUALITY			
		 HYPERLABS, Inc. 13830 SW Rawhide Court, Beaverton OR 97008		
		TITLE: HL9465-42 PICKOFF TEE, 2.40mm CONNECTOR, MALE OUTPUT		
		PART #: N/A		SIZE: A
		DRAWING #: 400044		REV: 3 PAGE 1 OF 1

NOTES:

1. DIMENSIONS IN INCHES UNLESS OTHERWISE NOTED