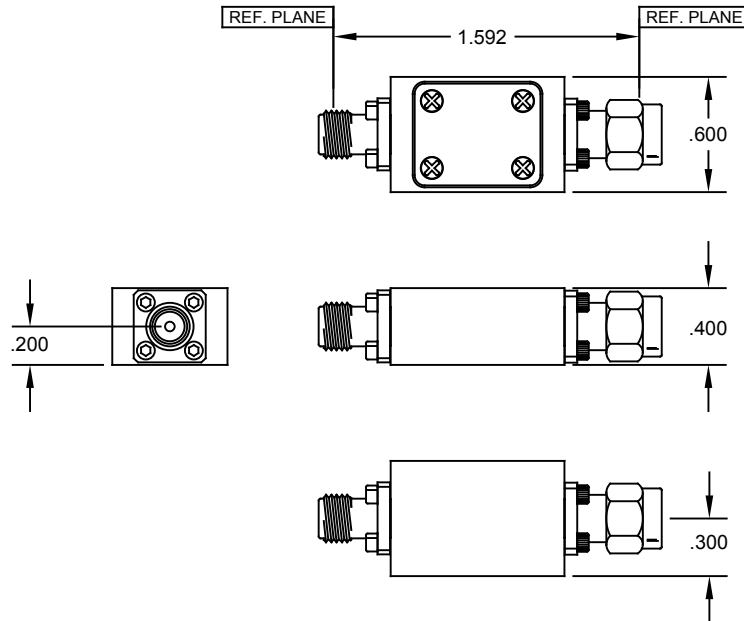



**CONFIDENTIAL**

THIS DOCUMENT, OR DATA DISCLOSED HEREIN, IS NOT TO BE REPRODUCED, USED, OR DISCLOSED, IN WHOLE OR PART, TO ANYONE WITHOUT THE DIRECT PERMISSION OF HYPERLABS, INC.

REVISIONS

ECN #	REV	DESCRIPTION	DATE	RELEASED BY
XXXX	0	ORIGINAL	04/06/20	JJY



SCALE: 1:1	P SCALE: 1	MATERIAL: N/A		
TOLERANCES UNLESS OTHERWISE NOTED: INCHES X.X ± 0.1 X.XX ± 0.01 X.XXX ± 0.005 X.XXXX ± 0.001 X° ± 1°		INITIAL	DATE	 <b>HYPERLABS, Inc.</b> 13830 SW Rawhide Court, Beaverton OR 97008
		DRAWN BY	JJY 04/06/20	
		DESIGN ENG		
		MATERIALS		
		PROD ENG		
QUALITY				TITLE: HL9450, HL9452 RISE TIME FILTERS PART #: 400057 DRAWING #: 400057
			REV: 1	SIZE: A
			PAGE 1 OF 1	

NOTES:  
1. DIMENSIONS IN INCHES UNLESS OTHERWISE NOTED