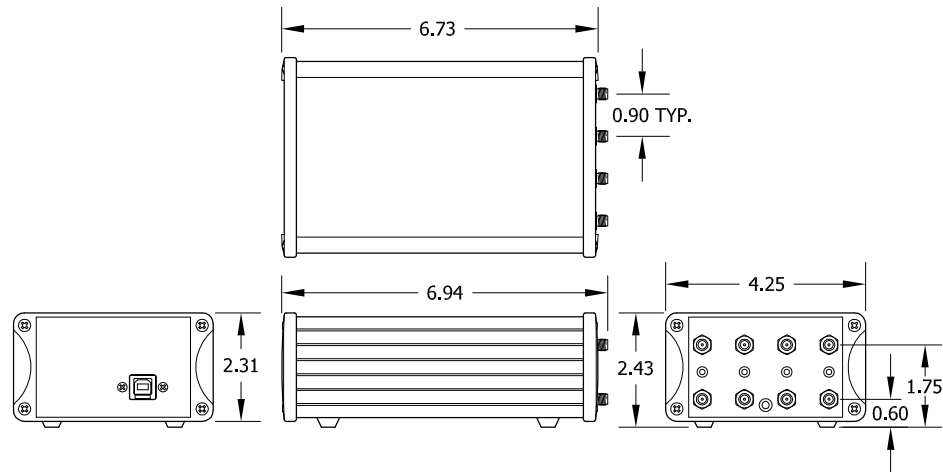


**CONFIDENTIAL**


THIS DOCUMENT, OR DATA DISCLOSED HEREIN, IS NOT TO BE REPRODUCED, USED, OR DISCLOSED, IN WHOLE OR PART, TO ANYONE WITHOUT THE DIRECT PERMISSION OF HYPERLABS, INC.

REVISIONS				
ECN #	REV	DESCRIPTION	DATE	RELEASED BY
0149	0	ORIGINAL	05/31/13	AA



**NOTES:**

1. DIMENSIONS IN INCHES UNLESS OTHERWISE NOTED

SCALE: 1:4	P SCALE: .25	MATERIAL: AS REFERENCED		 <b>HYPERLABS, Inc.</b> 13830 SW Rawhide Court, Beaverton OR 97008	
TOLERANCES UNLESS OTHERWISE NOTED: INCHES X.X ± 0.1 X.XX ± 0.01 X.XXX ± 0.005 X.XXXX ± 0.0005 X° ± 1°		INITIAL	DATE		
		DRAWN BY	DDP	05/31/13	PART #: HL5208-20
		DESIGN ENG			REV: 0
		MATERIALS			SIZE: A
		PROD ENG			DRAWING #: 400011
		QUALITY			PAGE 1 OF 1