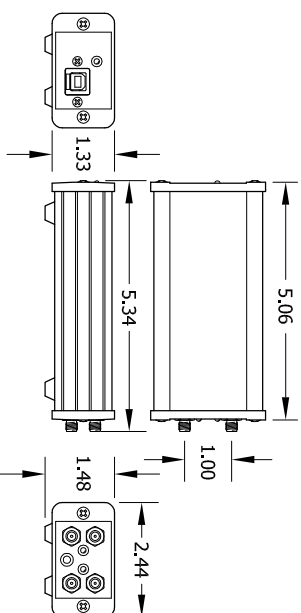


CONFIDENTIAL

THIS DOCUMENT OR DATA DISCLOSED HEREIN, IS NOT TO BE REPRODUCED, USED, OR DISCLOSED, IN WHOLE OR PART, TO ANYONE WITHOUT THE DIRECT PERMISSION OF HYPERLABS, INC.

REVISIONS				
ECN #	REV	DESCRIPTION	DATE	RELEASED BY
0331	0	ORIGINAL	01/26/15	AA



SCALE: 1:4 P SCALE: .25 MATERIAL: AS REFERENCED

TOLERANCES UNLESS OTHERWISE NOTED: INCHES
 X.X ± 0.1
 X.XX ± 0.01
 X.XXX ± 0.005
 X.XXXX ± 0.0005
 X-± 1°

INITIAL	DATE	TITLE:	REV:	SIZE:
DDP	01/26/15	HL12204-20 TDR	0	A
		PART #: HL1202-20		
		DRAWING #: 400030		



HYPERLABS, Inc.
 13830 SW Rawhide Court, Beaverton OR 97008

NOTES:
 1. DIMENSIONS IN INCHES UNLESS OTHERWISE NOTED