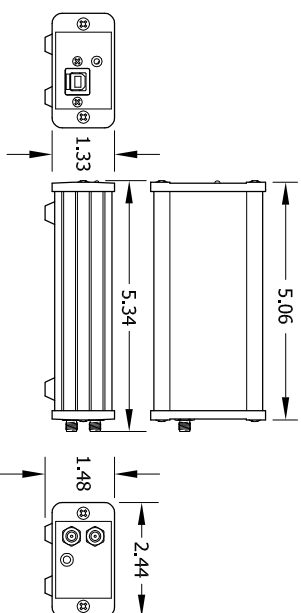


CONFIDENTIAL

THIS DOCUMENT OR DATA DISCLOSED HEREIN, IS NOT TO BE REPRODUCED, USED, OR DISCLOSED, IN WHOLE OR PART, TO ANYONE WITHOUT THE DIRECT PERMISSION OF HYPERLABS, INC.

REVISIONS				
ECN #	REV	DESCRIPTION	DATE	RELEASED BY
0332	0	ORIGINAL	01/26/15	AA



SCALE: 1:4 P SCALE: .25 MATERIAL: AS REFERENCED

TOLERANCES UNLESS OTHERWISE NOTED:

- INCHES
- X.X ± 0.1
- X.XX ± 0.01
- X.XXX ± 0.005
- X.XXXX ± 0.0005
- X-± 1°



HYPERLABS, Inc.
13830 SW Rawhide Court, Beaverton OR 97008

TITLE: HL2202-20 MODULAR TDR
 PART #: HL1202-20
 DRAWING #: 400031

REV: 0 SIZE: A
 PAGE 1 OF 1

NOTES:
1. DIMENSIONS IN INCHES UNLESS OTHERWISE NOTED