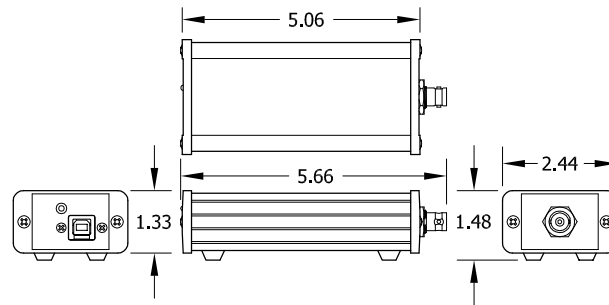


CONFIDENTIAL

THIS DOCUMENT, OR DATA DISCLOSED HEREIN, IS NOT TO BE REPRODUCED, USED, OR DISCLOSED, IN WHOLE OR PART, TO ANYONE WITHOUT THE DIRECT PERMISSION OF HYPERLABS, INC.

REVISIONS				
ECN #	REV	DESCRIPTION	DATE	RELEASED BY
0147	0	ORIGINAL	05/31/13	AA



NOTES:

1. DIMENSIONS IN INCHES UNLESS OTHERWISE NOTED

SCALE: 1:4	P SCALE: .25	MATERIAL: AS REFERENCED			
TOLERANCES UNLESS OTHERWISE NOTED: INCHES X.X ± 0.1 X.XX ± 0.01 X.XXX ± 0.005 X.XXXX ± 0.0005 X° ± 1°		INITIAL	DATE		
	DRAWN BY	DDP	05/31/13		
	DESIGN ENG				
	MATERIALS			TITLE: HL1101-10 TDR	
	PROD ENG			PART #: HL1101-10	REV: 0
QUALITY			DRAWING #: 400009	PAGE 1 OF 1	



HYPERLABS, Inc.
13830 SW Rawhide Court, Beaverton OR 97008